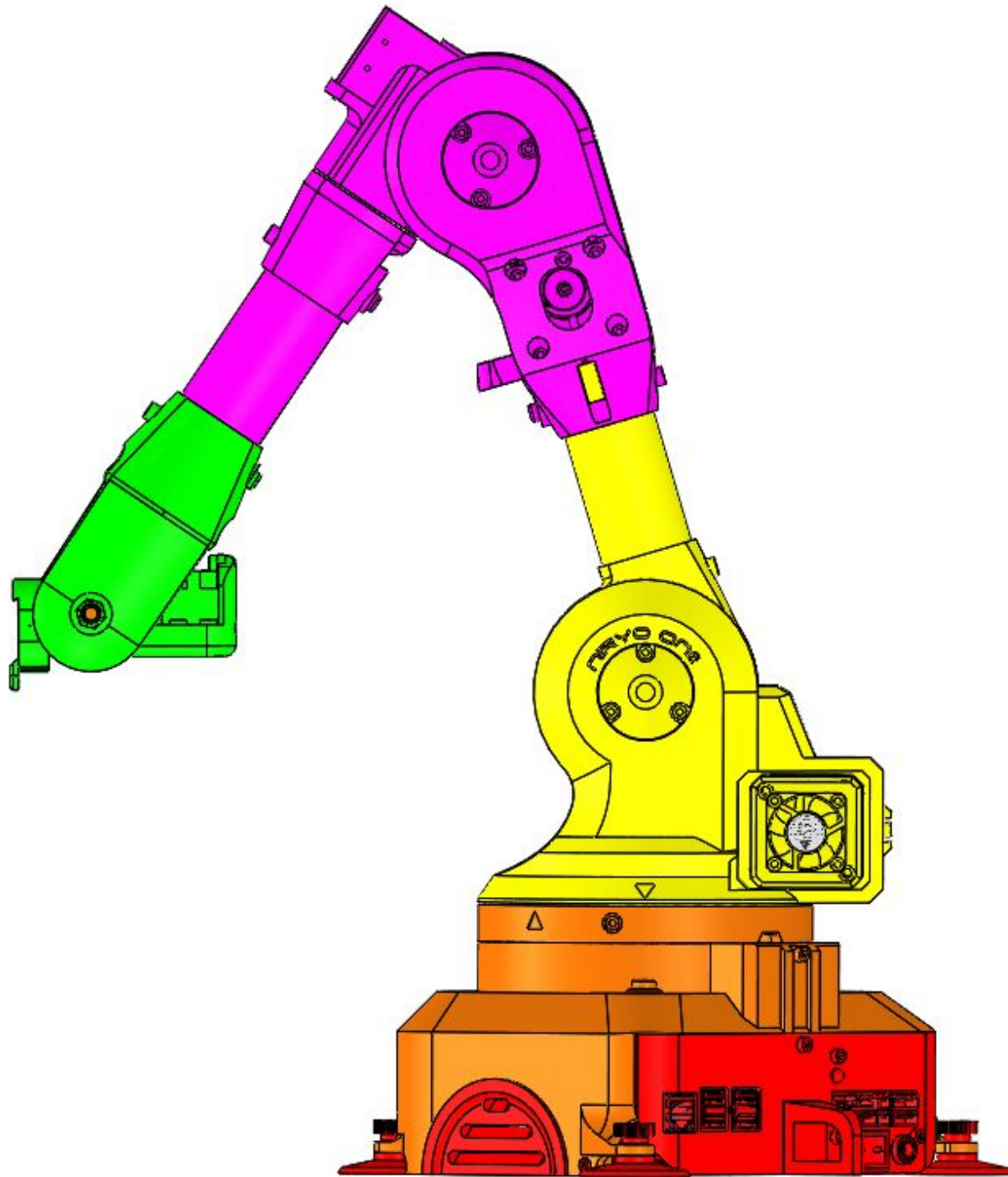


Niryo One BOM step by step (following Assembly guide)



1 - Base

2 - Shoulder

3 - Elbow

4 - Wrist

5- Drawer

Step 1 : Assembling Base



Base
x 1



Belt Tensioner
x 1



Base Bearing Support
x 1



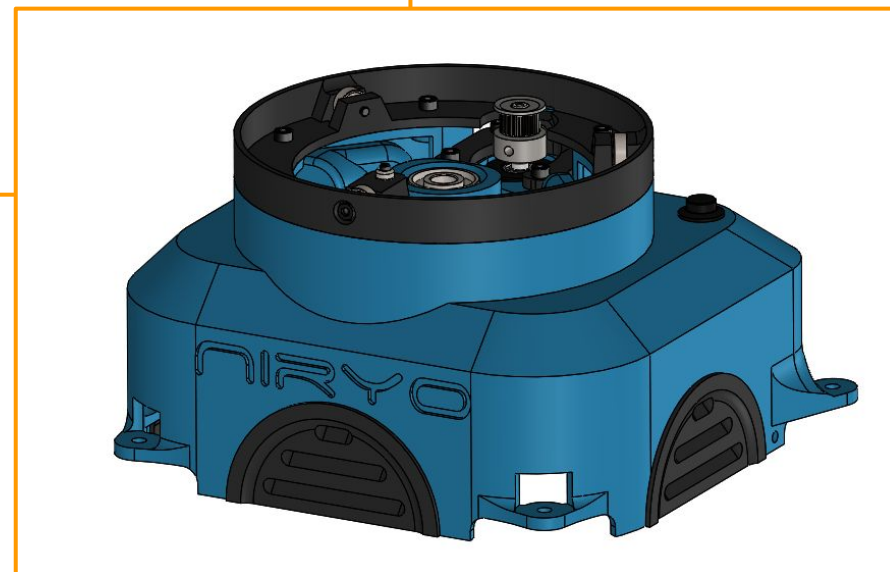
Niryo Motor Orange
x 1



Fan
x 1



Button
x: 1



Bearing 8x22x7 mm
x 1



Bearing 3x10x4 mm
x 3



M3 Brake Nut
x 2



Screw M3 x 10 mm
x 11



Screw M3 x 16 mm
x 8



Gear GT2
x 1

Step 2 : Assembling Shoulder



Shoulder
x 1



Arm Bottom
x 1



M3 Brake Nut
x 1



Screw M3 x 10 mm
x 10



M4 Brake Nut
x 1



Screw M3 x 16 mm
x 6



M8 Brake Nut
x 1



Screw M4 x 40 mm
x 1



Shoulder Gearing
x 1



End Cap - Shoulder
x 2



Screw M8 x 55mm
x 1



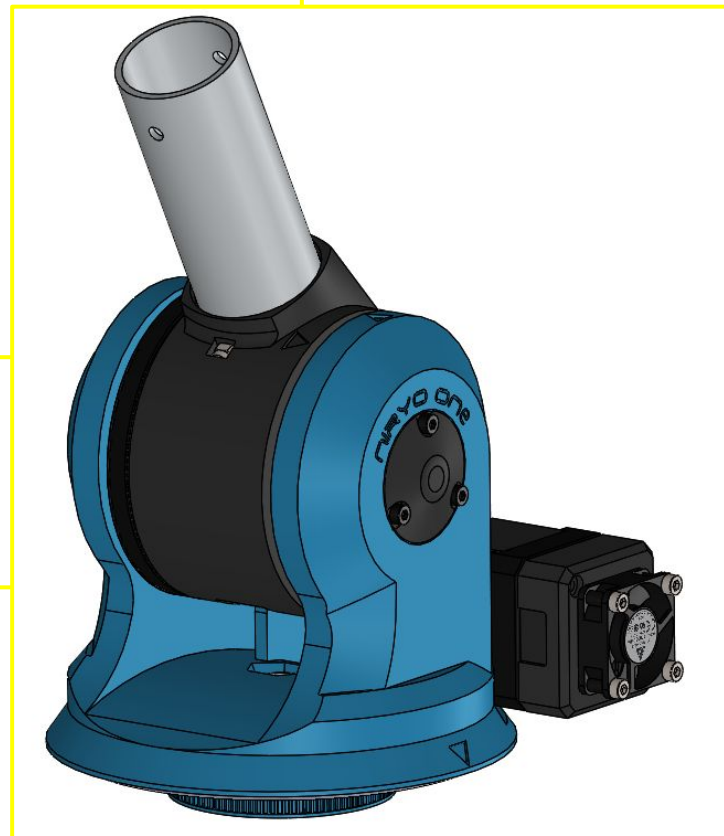
Belt Tensioner
x 1



Screw M8 x 90 mm
x 1



Round Tube
x 2



Niryo Motor Yellow
x 1



Aluminium Tube
x 1



Bearing 3x10x4 mm
x 2



Gear GT2
x 1



Bearing 8x22x7 mm
x 2



Belt GT2 loop
x 1



Thurst Bearing 8x19x7 mm
x 1



Belt GT2 with red tape
x 1



Half Bearing 90x120 mm
x 1



Torsion Spring
x 1

Step 3 : Assembling Elbow



Arm Top
x 1



Elbow
x 1



Round Tube
x 2



Forearm Bottom
x 1



Belt Tensioner
x 1



M3 Brake Nut
x 1



M4 Brake Nut
x 1



M8 Brake Nut
x 1



M8 Washer
x 1



Screw M3 x 10 mm
x 10



Screw M3 x 16 mm
x 2



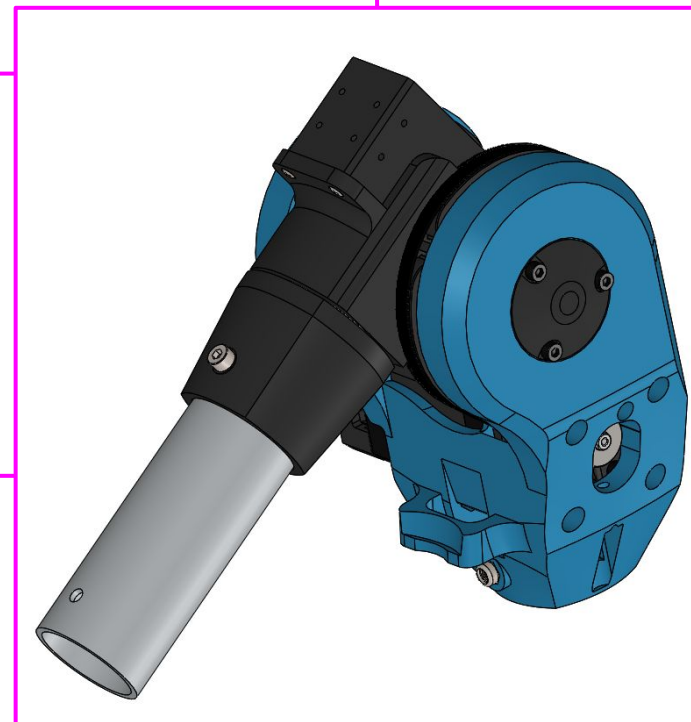
Screw M4 x 40 mm
x 1



Screw M8 x 40 mm
x 1



Screw M8 x 90 mm
x 1



Niryo Motor Pink
x 1



XL430 Red
x 1



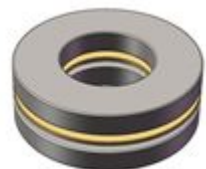
Bearing 3x10x4 mm
x 2



Bearing 8x22x7 mm
x 2



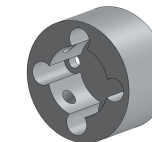
Thurst Bearing 8x19x7 mm
x 1



Thurst Bearing 20x40x14 mm
x 1



Aluminium Tube
x 1



Coupling Shaft - Red Motor
X 1



Gear GT2
x 1



Belt GT2 with Green tape
x 1

Step 4 : Assembling Wrist



Forearm top
x 1



Wrist
x 1



Hand
x 1



M5 Brake Nut
x 2



M6 Brake Nut
x 2



M5 Washer
x 1



Screw M2 x 5mm
x4



Screw M3 x 5 mm
x 2



Screw M5 x 40
x 1



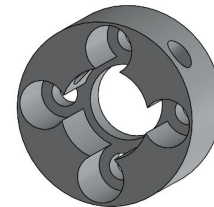
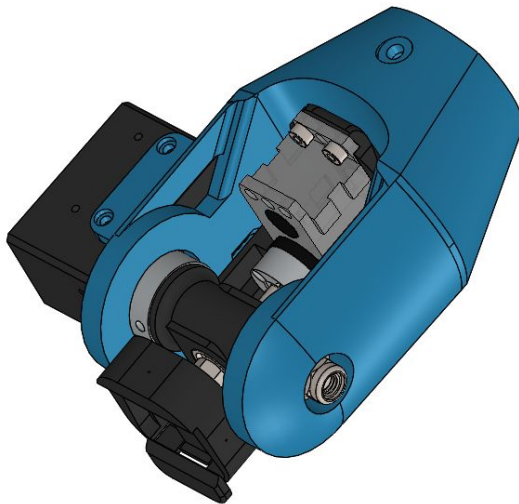
Screw M6 x 50
x 1



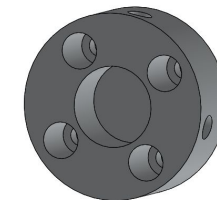
XL -430 Green
x 1



XL -320 Blue
x 1



CouplingShaft BlueMotor
x 1



CouplingShaft GreenMotor
x 1

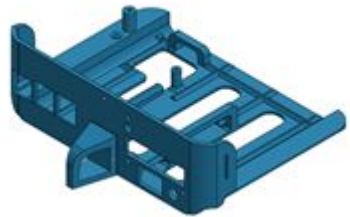


Bearing 5x14x5 mm
x 1



Bearing 6x19x6 mm
x 1

Step 5 : Assembling Drawer + Final Step



Drawer
x 1



Air Routing
x 3



M3 Brake Nut
x 1



M4 Brake Nut
x 1



Screw M2 x 5mm
x 4



Screw M3 x 5 mm
x 2



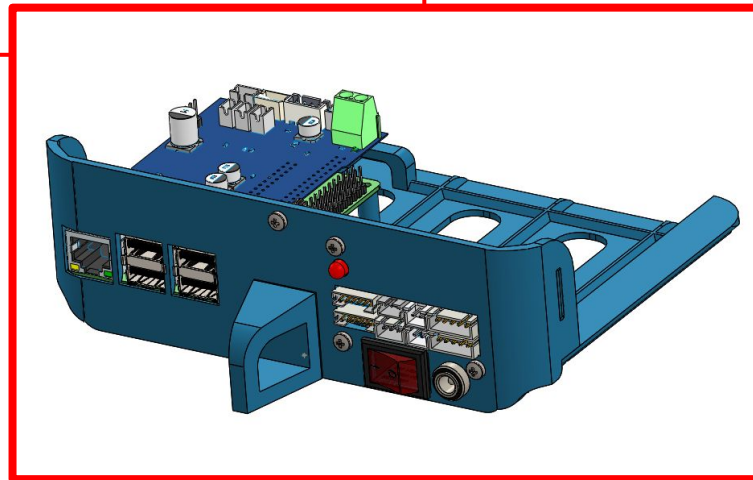
Screw M3 x 10mm
x 5



Screw M3 x 16 mm
x 2



Screw M4 x 40 mm
x 1



Ribbon Cable
x 1



Raspberry Pi 3+ SD Card
x 1



NiryoPannel
x 1



Niryo Shield
x 1



Label
x 1



DC Collector + Cable
x 1



Switch
x 1